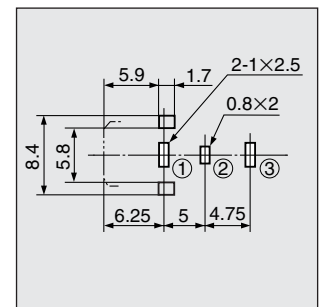
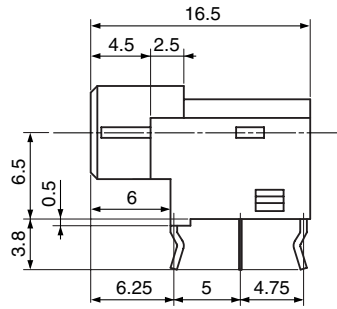
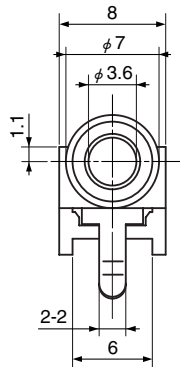


HSJ1403-01-010



$h=6.5$ mm



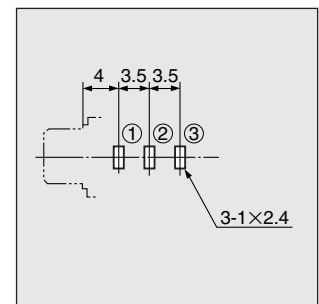
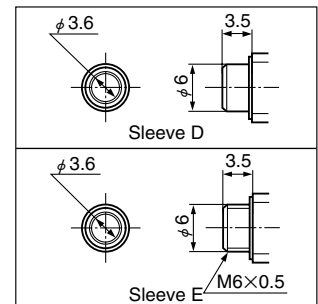
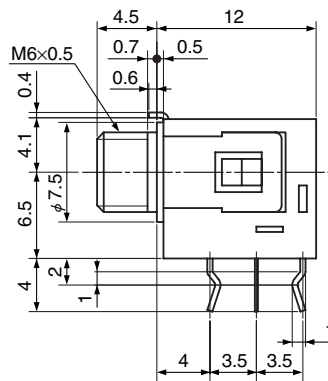
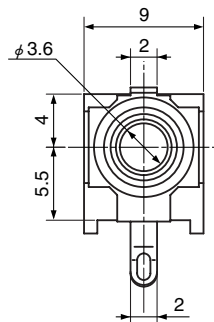
Hole Layout
(Bottom View)

Housing Material	Schematic		
	Housing Color		
PPHOX	Black	HSJ1403-01-010	HSJ1453-01-010
	Red	HSJ1403-01-011	HSJ1453-01-011
	Green	HSJ1403-01-012	HSJ1453-01-012
	Blue	HSJ1403-01-018	HSJ1453-01-018
PBT	Black	HSJ1677-010010	HSJ1680-010010

HSJ0857-0160109



$h=6.5$ mm



Hole Layout
(Bottom View)

Stopper	Schematic			
	Sleeve			
With	E	M6×0.5	HSJ0857-0160109	HSJ1857-0160209
Without	E	M6×0.5	HSJ0857-0162109	HSJ1857-0162209
	D	$\phi 6$	HSJ0857-0163109	HSJ1857-0163209

Lead wire terminal types are available.